

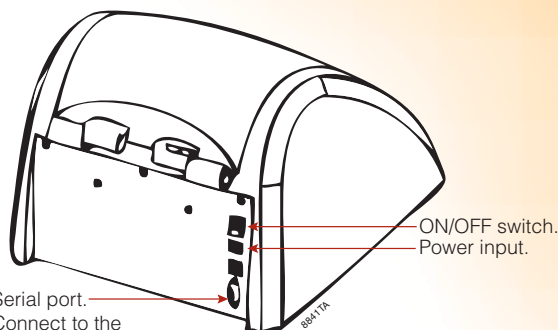
GloMax®-Multi Jr Detection System: Fluorometer

INSTRUCTIONS FOR USE OF PRODUCT E6070 WITH FLUORESCENCE MODULE.

Quick
PROTOCOL

Startup

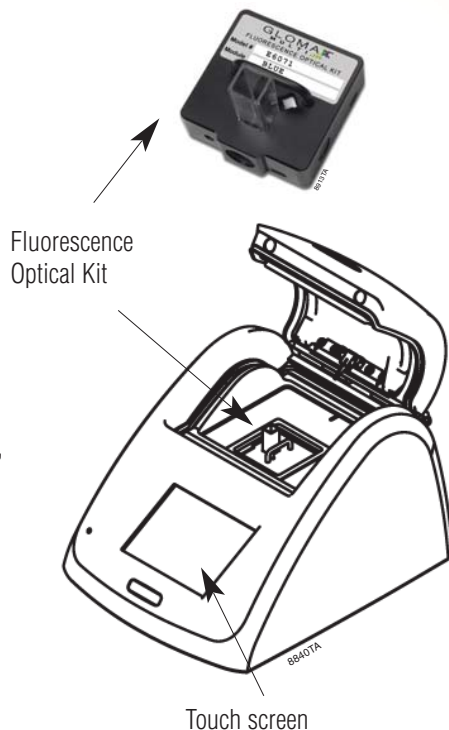
1. Connect the AC Adapter to the instrument.
2. Install the Fluorescence Optical Kit.
3. Turn ON the instrument.
4. (Optional) Connect the instrument to a PC using the 9-pin serial cable.
5. (Optional) To export data from the GloMax®-Multi Jr to an Excel® spreadsheet, you will need to install the Spreadsheet Interface Software on a PC.



Serial port.
Connect to the
serial port of your
computer.

Optical Kit Installation/Removal

1. Turn OFF the instrument.
2. Hold the handle of the Optical Kit, and align it with the sample compartment. Press down to lock the Optical Kit in place.
3. Close the lid and turn ON the instrument.
4. On the touch screen, identify the Optical Kit used.
5. Before removing an Optical Kit, turn OFF the instrument. Grasp the handle, and gently pull up to remove the kit from the sample.



Measure Samples

Raw Fluorescence Mode

1. Calibration is not necessary to measure fluorescence using the GloMax®-Multi Jr Fluorometer. Simply use Raw Fluorescence Mode to measure your samples. The instrument defaults to Raw Fluorescence Mode upon power up.
2. Insert the cuvette containing your sample, and touch "Measure Fluorescence" to obtain the fluorescence of the sample in fluorescent standard units. (FSU).
3. (Optional) Generate a standard curve to measure the concentration of the analyte in the sample.

Direct Concentration Mode

1. Direct Concentration Mode requires calibration to provide direct concentration data for your sample analysis. Prepare at least one standard solution and one blank solution.
2. Touch "Calibrate", then select the unit of measure that corresponds to the concentration value for your standard.
3. Enter the blank solution, then enter as many as five standards in order of increasing concentration.
4. After the calibration is complete, insert a cuvette containing your sample. The reading corresponds to the actual concentration of the analyte in your sample.

Continued on other side

ORDERING/TECHNICAL INFORMATION:

www.promega.com • Phone 608-274-4330 or 800-356-9526 • Fax 608-277-2601

GloMax®-Multi Jr Detection System: Fluorometer

INSTRUCTIONS FOR USE OF PRODUCT E6070 WITH FLUORESCENCE MODULE.

Quick
PROTOCOL

Save Calibrations

1. You may save calibrations for future use. After the calibration is complete, enter a name for the calibration and touch “Save As”.
2. Touch the “Calibrate” key on the navigation bar to retrieve a saved calibration.

Clean the Touch Screen

1. Turn OFF the instrument.
2. Clean the touch screen with a delicate task wipe dampened with 70% ethanol.
3. Turn ON the instrument to resume measurements.

Help

Two Quick Ways to Access Help

1. From the instrument touch screen, touch the “?” button to view the “Help” Menu.
2. Contact Promega Technical Services at: techserv@promega.com



ORDERING/TECHNICAL INFORMATION:

www.promega.com • Phone 608-274-4330 or 800-356-9526 • Fax 608-277-2601

©2010 Promega Corporation. All Rights Reserved.




Promega

Printed in USA. 3/10
Part #9FB121